



User Manual

IVIEW+ HDS-K02

Advanced pedestrian detection camera system based on AI technology

English

Ver.0.0.4

✧ *This manual contains installation guides.*

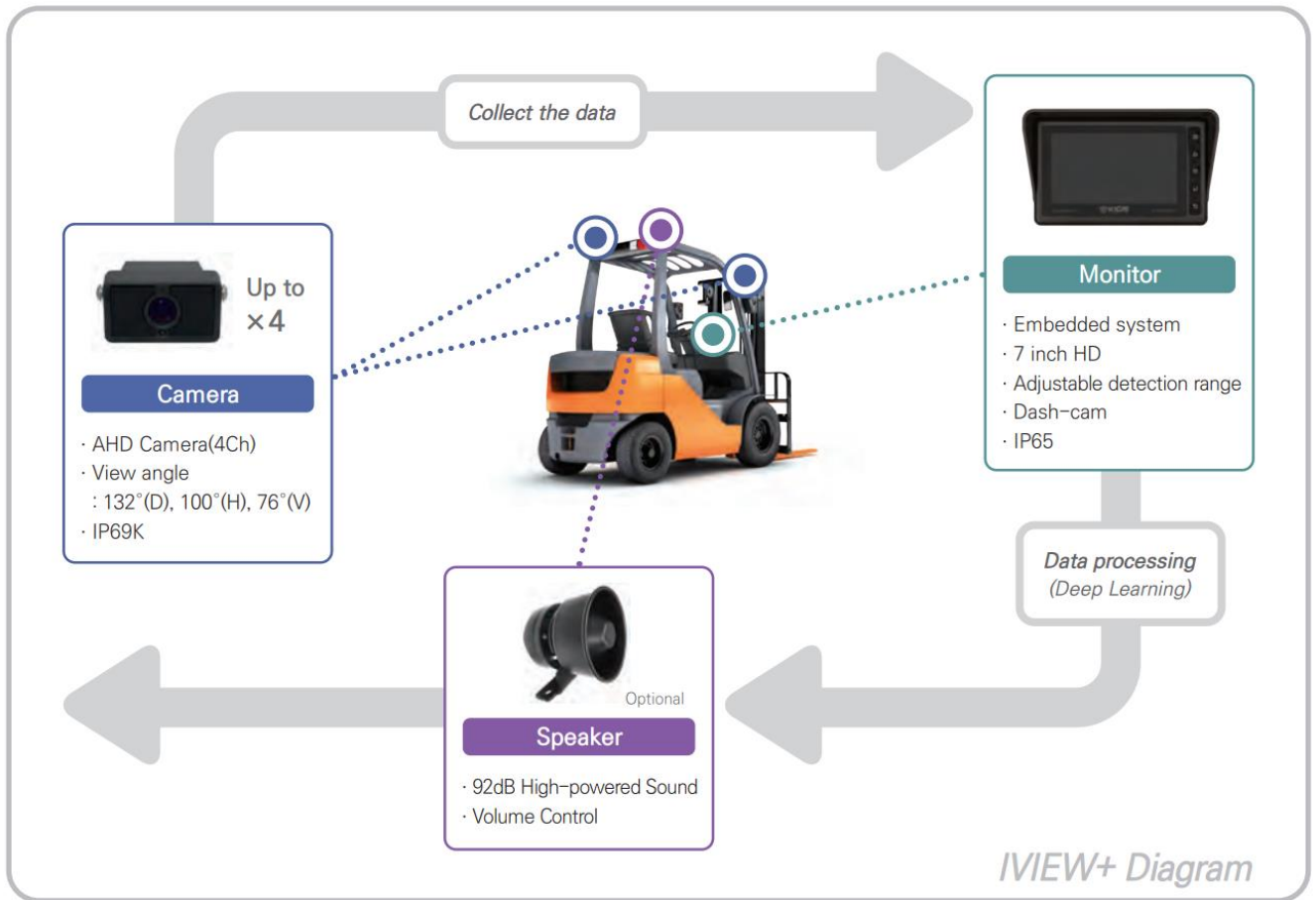
Contents

Summary.....	3
Safety Instructions.....	4
Getting started	
Components	5
Parts	6
Installation	
Mounting the Bracket and Product	7
Connecting the Product.....	8
Dimension and Cable length	
.....	10
How to Use	
System Display.....	11
System Set-up.....	12
Product	
Specifications.....	14
Trouble Shooting	15

Summary

IVIEW+ is a safety assistance system that detects pedestrians and provides alerts to drivers at any industrial site. IVIEW+ adopts advanced technology of AI (Artificial Intelligence) human subject detection and allows users to detect the subject in real-time.

The driver receives visible and audible alerts that are designed to minimize the number of accidents in the working fields.



<IVIEW+ Diagram>

Safety Instructions

- ⚠** Please read the following instructions carefully before using the product. This information is important for ensuring the safety of the user and for preventing damage to the user's property.

WARNING!

Failure to follow the instructions may cause serious injury or death.

Installation Instructions

Do not install the product in direct sunlight or in a location that is damp or dusty.

- This can cause a fire or electric shock.

Do not install the product near any heat source such as electric heaters.

- This can cause a fire from overheating or electric shock.

Install the product in a dry place.

- Moisture can cause product damage or electric shock.

Install the product in a place where there is no electromagnetic interference.

- This can cause product damage or electric shock.

Have qualified service professionals install or repair the product.

- Otherwise, it can cause a fire, electric shock, or injury.
- If the product is damaged due to a user's unauthorized installation or dismantling of the product, a service fee will be charged for repair.

Be careful not to spill any liquid such as water, drinks, or chemicals inside the product.

- This can cause fire, electric shock, or product damage.

CAUTION!

Ignoring these instructions may result in minor injuries or damage to the product.

Do not drop the product or subject it to shock or impact during use.

- This can cause a product failure.

Do not press the buttons on the product with excessive force or with a sharp tool.

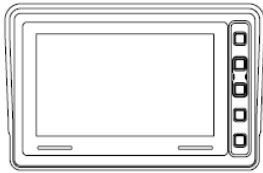
- This can cause a failure. Clean the product with a soft, dry cloth.

Do not use alcohol, benzene, or water.

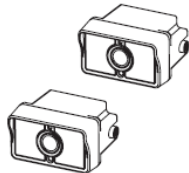
- This can cause a product failure.

Getting started

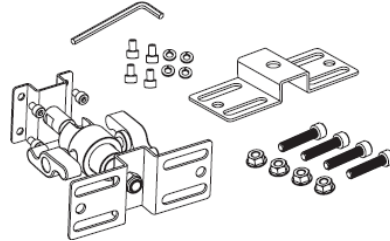
Components



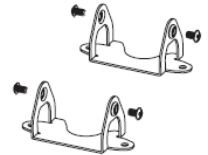
Monitor



Camera



Monitor Bracket



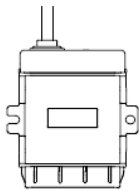
Camera Bracket



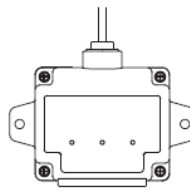
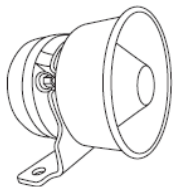
Extension Cable
For Camera



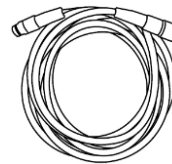
Open 3 wire Adaptor
(w/10A Fuse)



AMP & Speaker (Option)



EOD (Option)

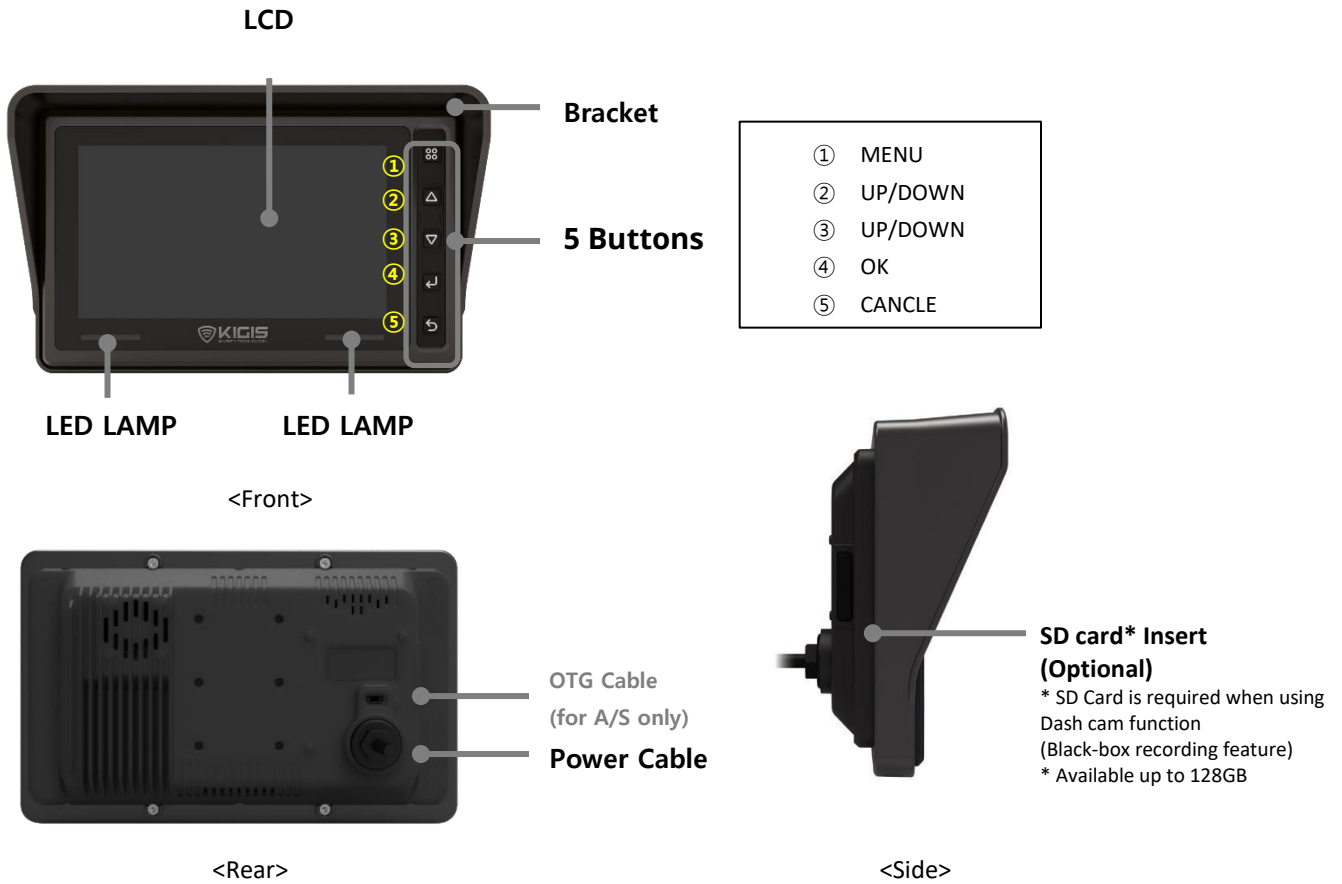


Extension Cable for EOD (Option)

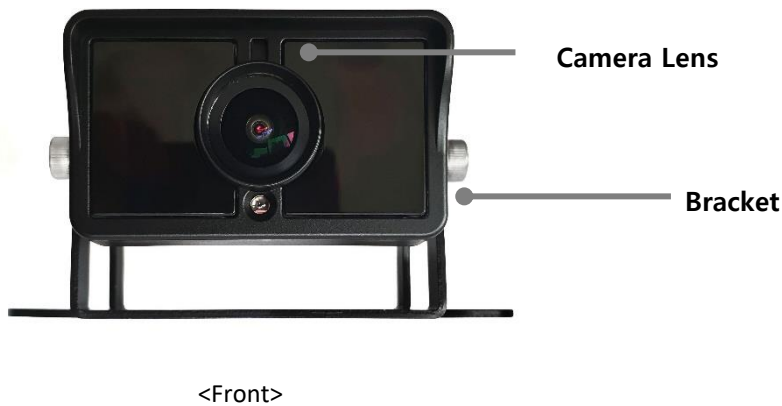
※ The appearance of the product may be slightly different from the actual product received.

Parts

Monitor



Camera



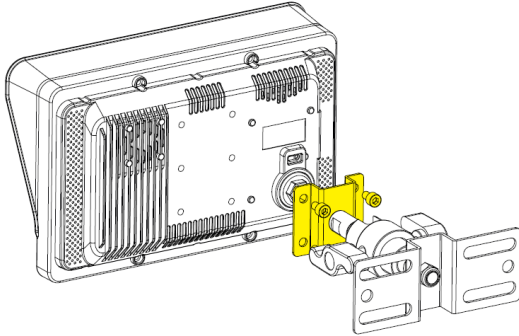
Installation

Mounting bracket and product

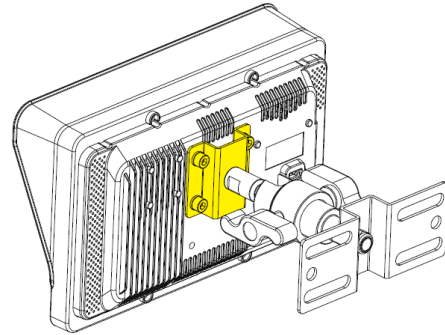
Monitor

With the mounting screws for the bracket, mount the bracket firmly onto the surface of monitor.

①



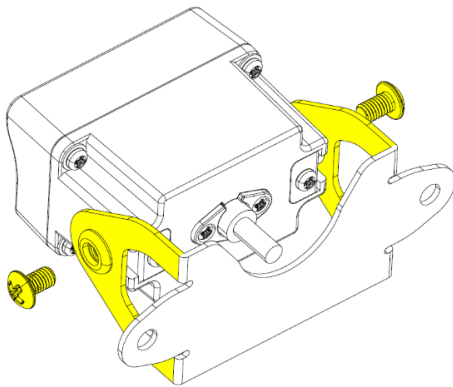
②



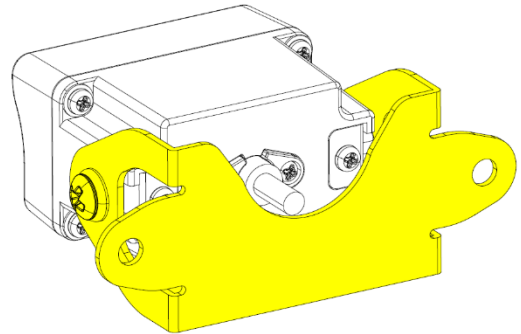
Camera

With the mounting screws for the bracket, mount the bracket firmly onto the surface of monitor.

①



②



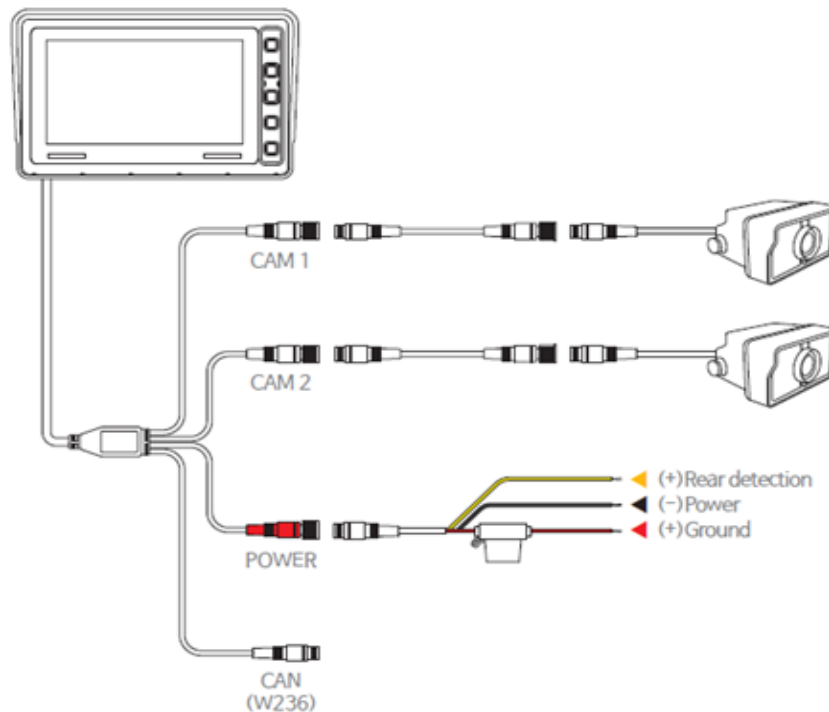
Connecting the product

Caution! It is highly recommended to install the products after powering off. Turn on the power after connecting all products.

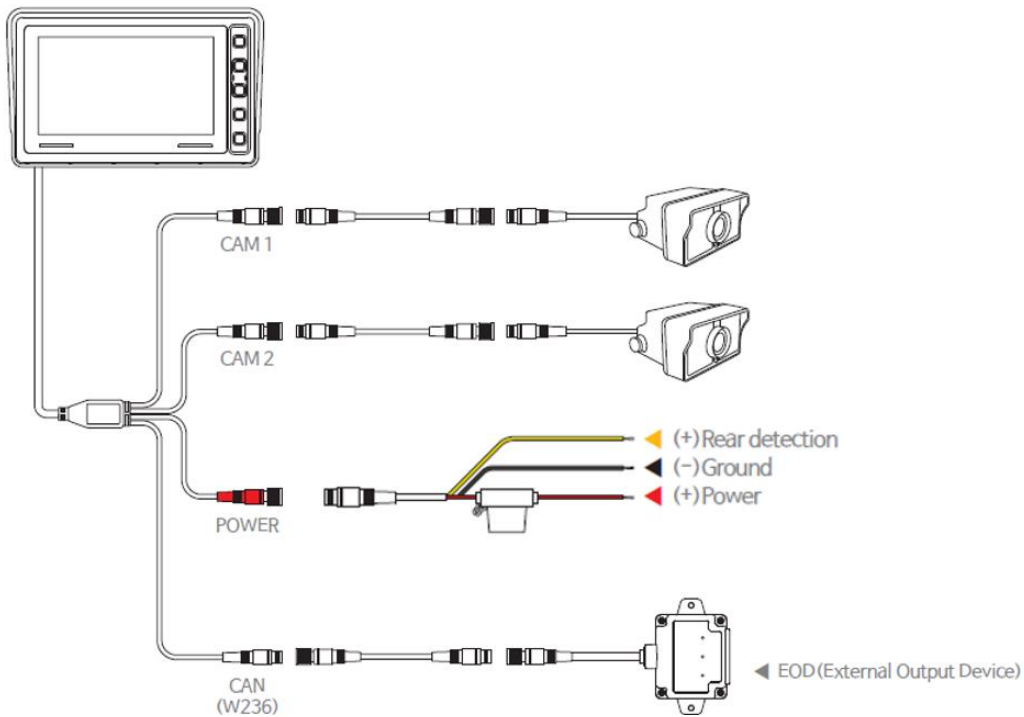
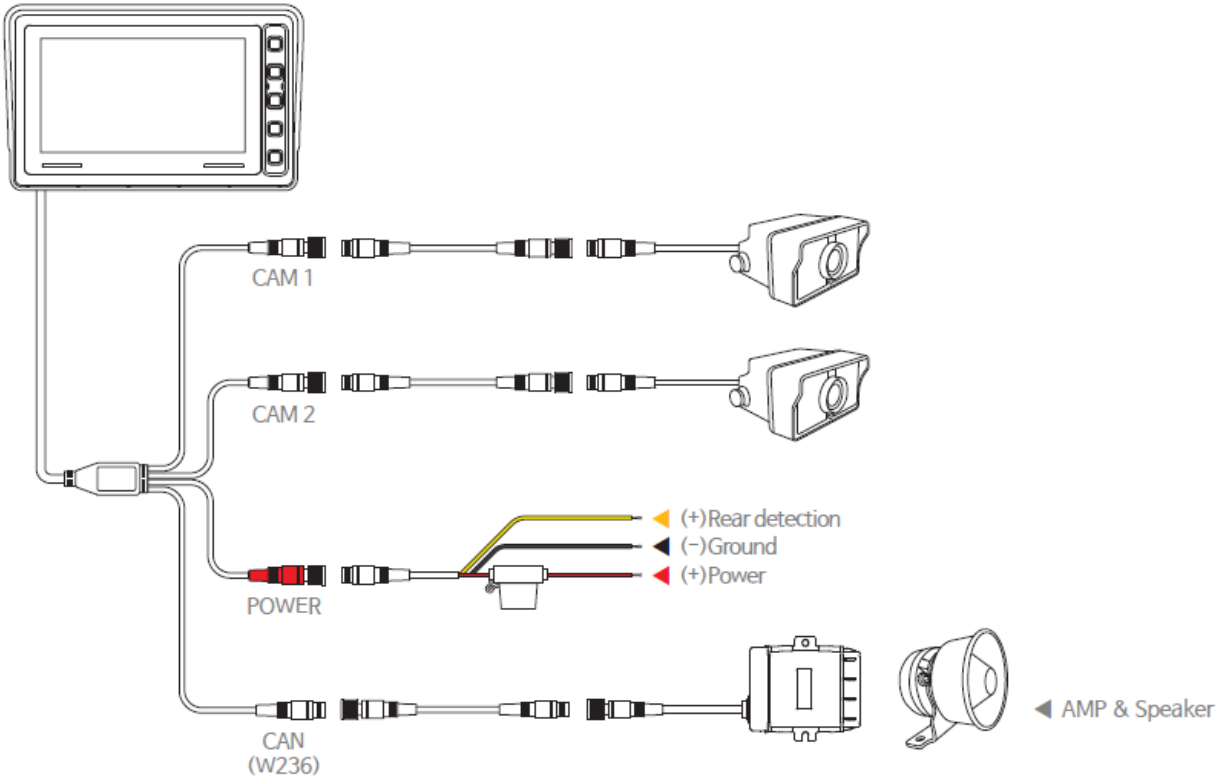
Caution! Wind up cable terminals to properly connect them. Disregarding this caution, it may cause a malfunction caused by liquid matters.

- **Basic** connection allows to alert the alarm sound through the monitor system.
- **Option1** provides alarm sounds through the AMP and speaker. It is required to purchase AMP, Speaker and extension cable. (If required)
- **Option2** provides a connection to external devices such as spot lamp and speed limiter through the relay of EOD (External Output Device). It is required to purchase EOD and extension cable. (If required).

BASIC

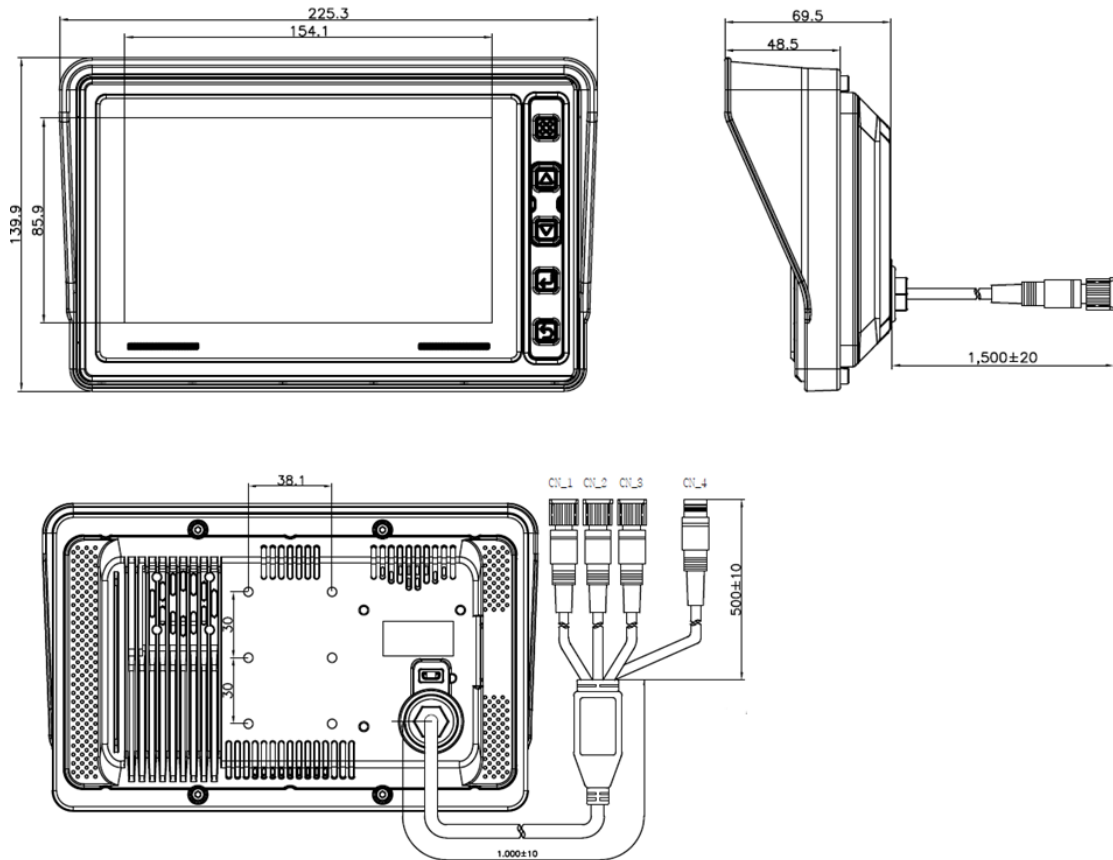


OPTION 1

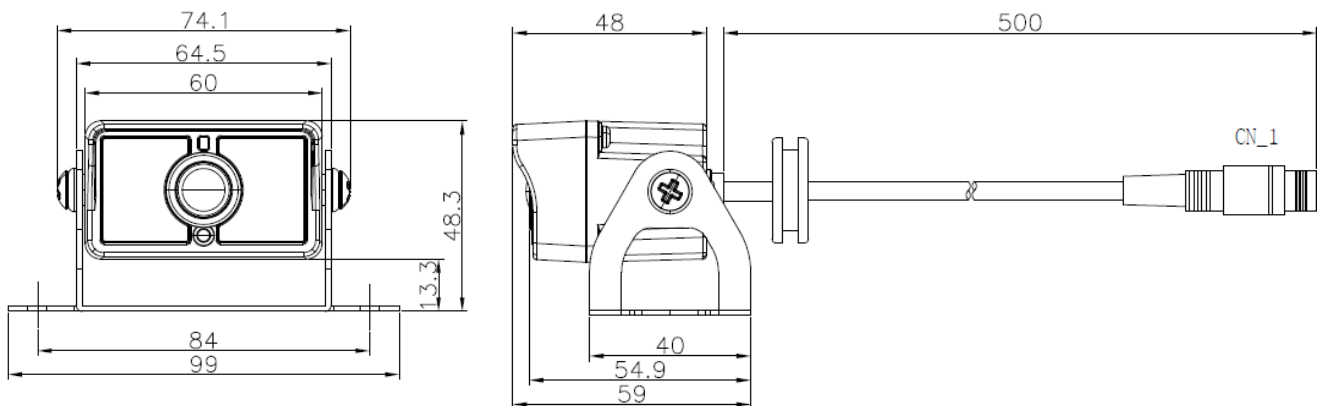


Dimension and length

Monitor



Camera



How to use

System Display



[Basic View]

Once the power is on, the display shows real-time video through the camera.



[Pedestrian detection]

When the pedestrian is detected, the red-box appears around the subject.




[Alert – LCD & LED]

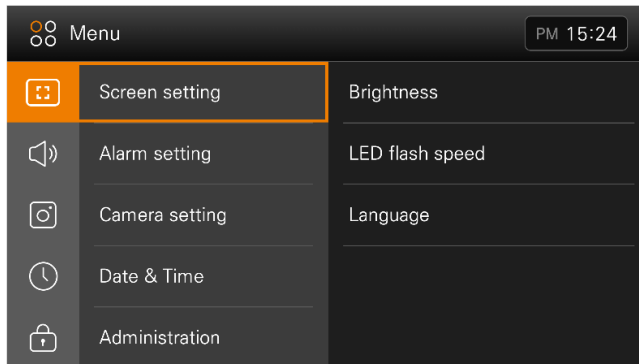
When the pedestrian is detected within the alarm range (based on the setting), both LCD screen and LED lamp flash while making the acoustic alarm sounds.

System Set-up

Setting menu

Select Menu  button to access setting menu. Control the buttons to set up.
If there isn't any action in 30 seconds after accessed to Menu, the system will go back to system display.

Screen setting



Brightness

Set up the brightness (level 1 to 5)

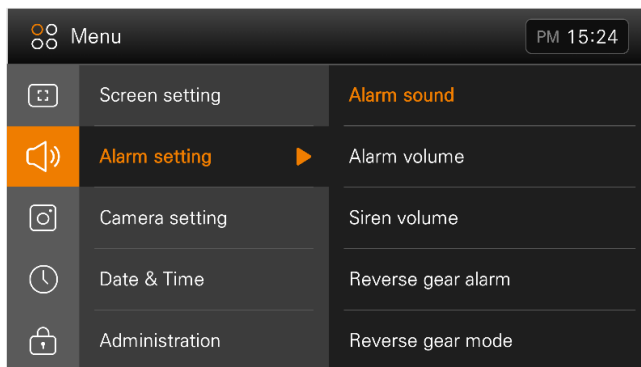
LED flash speed

Set the speed of LED flash (Off, level 1 to 3)

Language

Choose the language

Alarm setting



Alarm sound

Choose the alarm sound from the monitor (3 types)

Alarm volume

Set up the monitor volume (Off, level 1 to 5)

Siren volume

Set up the siren volume (Off, level 1 to 4)

Reverse gear alarm

ON: Always triggers alarm when reverse gear is detected (Siren: Always / Monitor: when the pedestrian is detected)

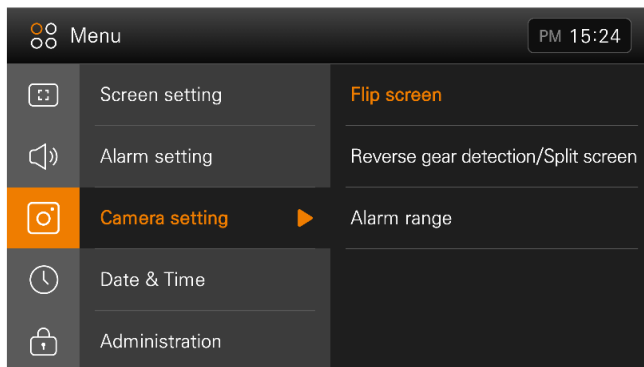
OFF: Triggers alarm only when the pedestrians is detected.

Reverse gear mode

Always: Triggers alarm only when the pedestrian is detected

Reverse gear: Triggers alarm when reverse gear is detected

Camera setting



Flip screen

Flip the screen left/right and top/bottom for CAM1 and CAM2.

Reverse gear detection/Split screen

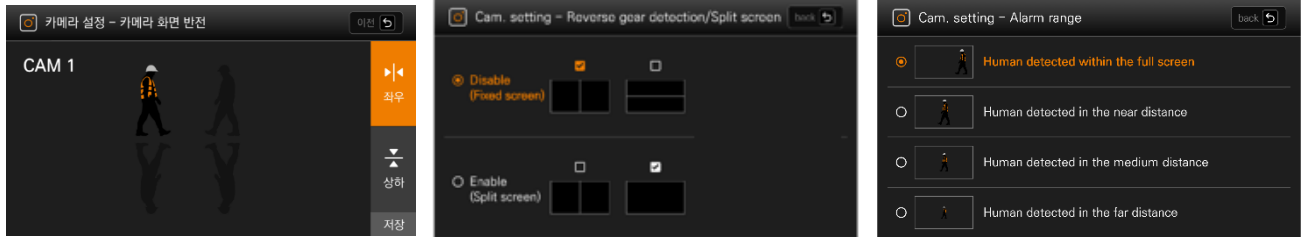
Disable (Fixed screen): The screen is always fixed.

Enable (Split screen): When reverse gear is detected, the screen splits.

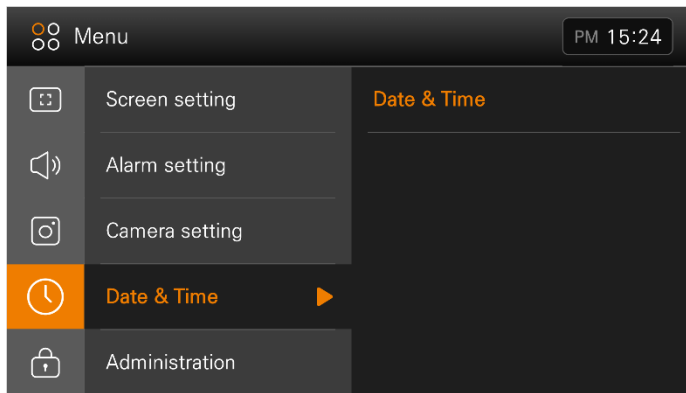
※ The reverse gear interlock must be wired.

Alarm Range

Choose the alarm range (4 options)

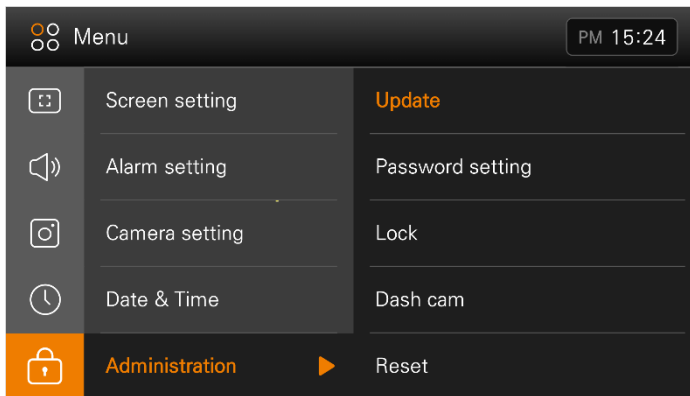


Data & Time setting



Set up the Date & Time

Administration



Update: Update the FW by using SD Card

Password setting: Reset or change the password

Lock: Lock/Unlock the access to administration menu

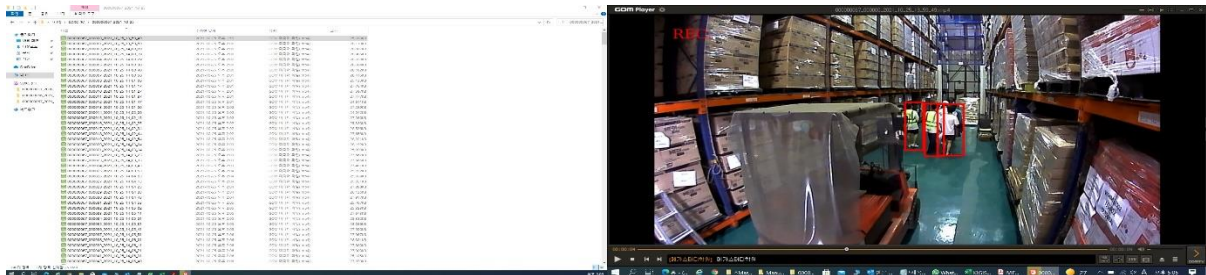
Dash cam* (black-box feature) : Enable & Disable dash cam by On & Off

(*Micro SD card required, up to 128GB)

Reset: Reset the all setting parameter

※ Once enabled or disabled, the power of the system will be turned off and start re-booting right afterwards.

*Dash cam (Black-box) example



Specification

Product	IVIEW+ Monitor
Screen Size	7-inch TFT
Resolution	1024x600
Color Depth	16.7M
Operating Voltage	DC 12V ~ 48V
Operating Temperature	-20°C ~ 65°C
Dimension	225 x 140 x 70 mm (W x D x H)
Weight	1.03kg
Buttons	5 Buttons with LED Backlight
Power consumption	Up to 2 channels
Waterproof	IP65
Camera Input	Composite Video (CVBS) 75Ω 1Vp-p
Video Input	15.6W(Stand-by), 24W(with alert)
Product	IVIEW+ Camera
Image Sensor	1/4" Color CMOS Image Sensor
View Angle(D)	132°(D), 100°(H), 76°(V)
Operating Voltage	DC 12V (via Monitor)
Operating Temperature	-40°C ~ +105°C
Dimension	60 x 35 x 48 mm (W x D x H)
Weight	0.98kg
Waterproof	IP69K
Video Output	Composite Video (CVBS) 75Ω 1Vp-p
Micro SD card	Above 64Gb Class10 (exFAT format is required), MLC type recommended

※ SD card is not included.

Trouble shooting

Troubles	Possible causes	Remedy
Blacked out LCD screen	The power must be on to turn on the LCD.	Check the power cable connection and fuse.
Alarm sound is too low.	Alarm sound is adjustable with 6 levels.	Menu > Alarm setting Check the level of alarm. ※ Check if the level is set as OFF.
The pedestrian is detected, but alert doesn't occur.	According to the alarm range setting, if the pedestrian is detected from outside of setting area, the alert doesn't occur.	Check Menu > Camera setting > Alarm range
The screen is flipped left and right or upside down.	Flipping screen is changeable according to setting.	Check Menu > Camera setting > Flip screen
The screen is changed automatically.	Check if 'Reverse gear detection' is enabled.	Check Menu > Camera setting > Reverse gear detection/ Split screen.
The screen is blinking and has noises.	Caused by foreign objects in the lens or cable connection problem.	Check if the camera lens has foreign object or water drop. Check the cable is properly connected.
Date and Time is off.	When the battery is discharged, the time will be reset.	The battery will be discharged after 2 weeks without changing.