

IVIEW+ HDS-K02/ HDS-K02-00B0

Advanced pedestrian detection camera system based on AI technology



IVIEW+ Monitor



IVIEW+ Camera(x2)

Product Description

IVIEW+ is a safety assistance system that detects pedestrians and provides alerts to drivers at any industrial site. IVIEW+ adopts advanced technology of AI (Artificial Intelligence) human subject detection and it allows us to detect the subject in real-time. The driver gets the visible alert with a warning sound/message to minimize the number of accidents from the working fields

IVIEW+ system is configured with a 7-inch TFT 16:9 wide monitor and an analog 520-megapixel camera with 2 channels.

IVIEW+, abiding by industrial standards, is designed with a dimension of 225 x 140 x 70 mm (monitor) and 60 x 35 x 48 mm (camera), and can readily be mounted on any fleets with magnetic attachment and simple cable and connectors.

The users are allowed to set up the warning areas as IVIEW+ offers the 4 depth of detecting areas within 10.0 meters. Additionally, when the subject is detected, the screen and LED flash in red color pops up with a strong acoustic alarm sound up to 92dB for driver's notification. With the optional connection with the amp and speaker, the voice message with multiple languages is available.

Applications : For all kinds of industrial vehicles. (forklift, excavator, wheel loader, tractor)

Simple and Intuitive Interface

With the AI-based technology when IVIEW+ detects the subject, both the LCD screen and LED lamp flash and make the acoustic alarm sounds when IVIEW+ detects the subject.



Normal View



Subject detected

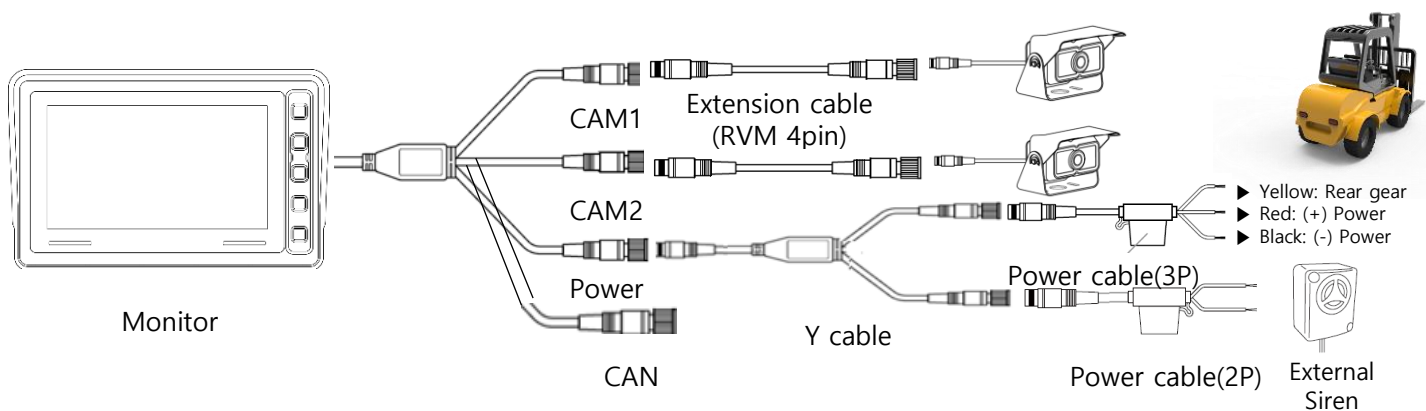


LED/LCD Alert

Key benefits

- Artificial Intelligence human subject detection technology
- Professional camera system with high resolution for a clear view
- Rugged, water-resistant industrial design (IP69K)
- Multiple setting for split screen and camera loop
- Night-vision support
- Quick and simple installation
- (Optional) Voice message available by combination of the amp and external speaker

Configuration (Basic)



※ In addition to the basic connection, IVIEW+ provides optional connections for an amp and external speaker

Technical Specifications

Product	IVIEW+ Monitor
Screen Size	7-inch TFT
Resolution	1024x600
Color Depth	16.7M
Operating Voltage	DC 12V ~ 48V
Operating Temperature	-20°C ~ 65°C
Dimension	225 x 140 x 70 mm (W x D x H)
Weight	1.03kg
Buttons	5 Buttons with LED Backlight
Camera Input	Up to 2 channels
Waterproof	IP65
Video Input	Composite Video (CVBS) 75Ω 1Vp-p
Power consumption	15.6W(Stand-by), 24W(with alert)

Product	IVIEW+ Camera
Image Sensor	1/4" Color CMOS Image Sensor
View Angle(D)	132°(D), 100°(H), 76°(V)
Operating Voltage	DC 12V (via Monitor)
Operating Temperature	-40°C ~ +105°C
Dimension	60 x 35 x 48 mm (W x D x H)
Weight	0.98kg
Waterproof	IP69K
Video Output	Composite Video (CVBS) 75Ω 1Vp-p