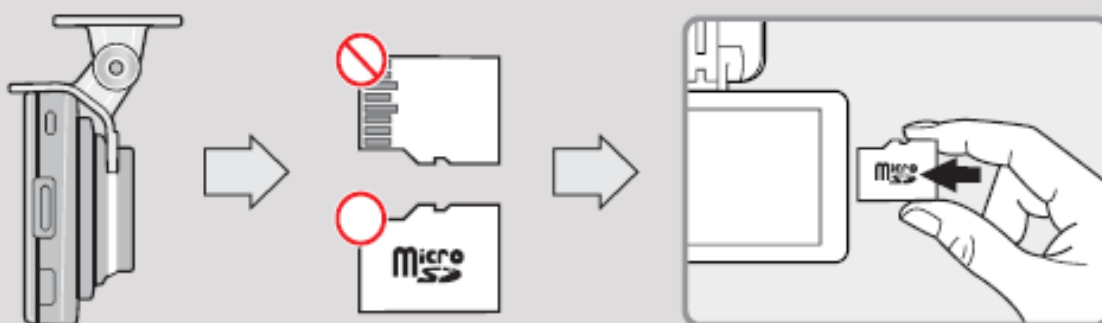


Product Installation

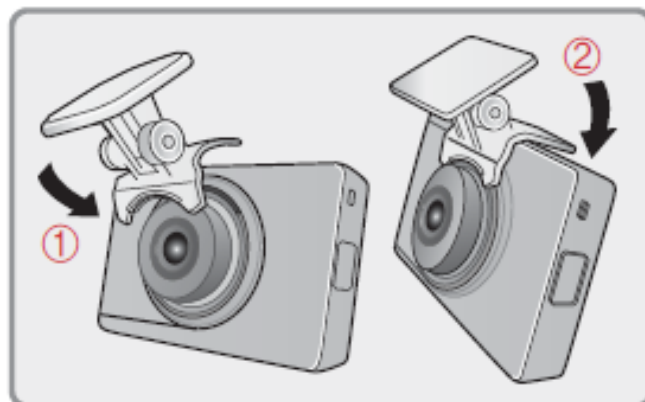
Inserting a memory card

! Be sure to read the precautions before using Micro SD memory.



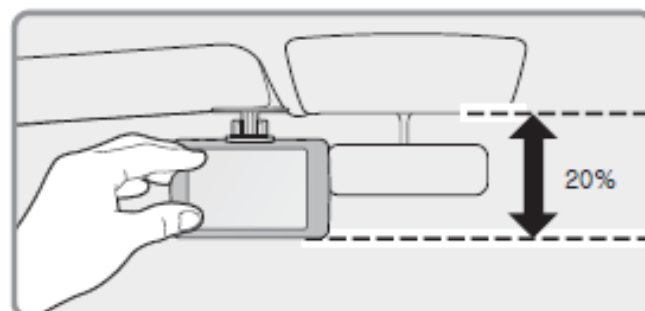
Connecting a dash cam to a vehicle

- 1 Insert the Micro SD memory and insert the mount into the groove on the top of camera as shown in ①, then insert the port side groove part as shown ② and push it until it click



- 2 Remove the double-sided tape attached to the mount

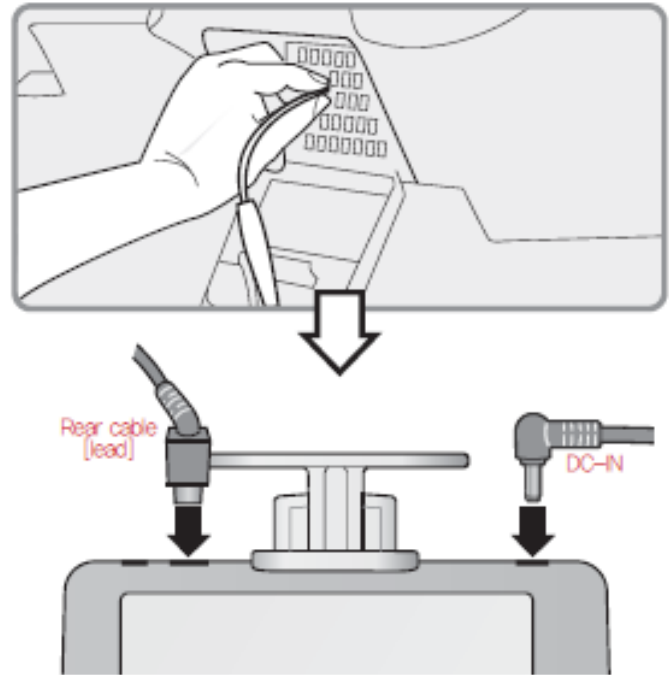
- 3 Select and attach the location of the vehicle attachment and then rotate the handle to adjust an angle of recording of a dash cam. At this time, be careful not to obstruct the front surface of the lens.
※ Please be careful for a dash cam not to obstruct the view of a driver.



- 4 Depending on the vehicle, the front angle may be different. It is recommend to hold a dash cam vertically based on a regular passenger car.

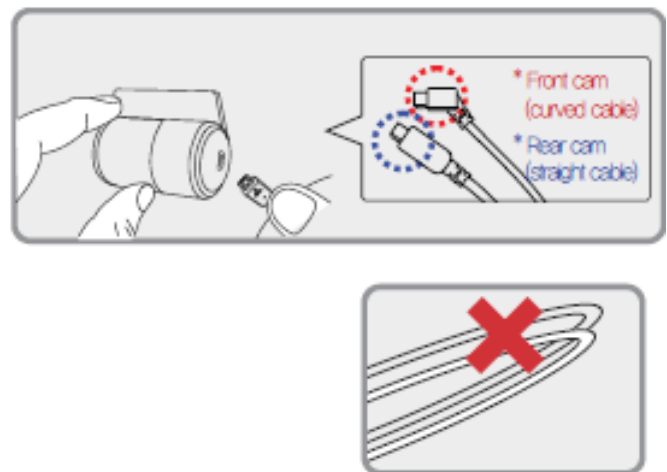
- 5 Connect a direct power cable to the fuse box terminal inside the vehicle. (Connect a direct power cable to fuse box terminal which is always power-supplied even if the ACC is cut off to trunk, emergency light and door lock.) Connect the DC power jack and the USB cables for the inside and rear cameras to the connection terminal on top of a dash cam.

※When using power cable with 2 wires, tie and connect ACC and VCC lines to the terminal, and then change the setting to 2 wire mode.
Configuration path: Setting - System - Voltage management - LBP - 2 wires / 3 wires



- 6 Remove the double-sided tape attached to the inner and rear camera mounts and attach them to the appropriate position on the windshield of vehicle. Connect the inside and rear camera cables connected to the main unit to the inside and rear camera.

※When working with internal and rear camera cables, if the line is bent as shown in the picture, the data flow may be interrupted and a recording error may occur. Please be careful.



- 7 Arrange power cables inside the vehicle using the cable fixing holder.

※It is recommended to install the power cable to the driver's seat side and to install the rear cable to the passenger's seat side when arranging the cables, as it may cause a problem in GPS reception of navigation.

